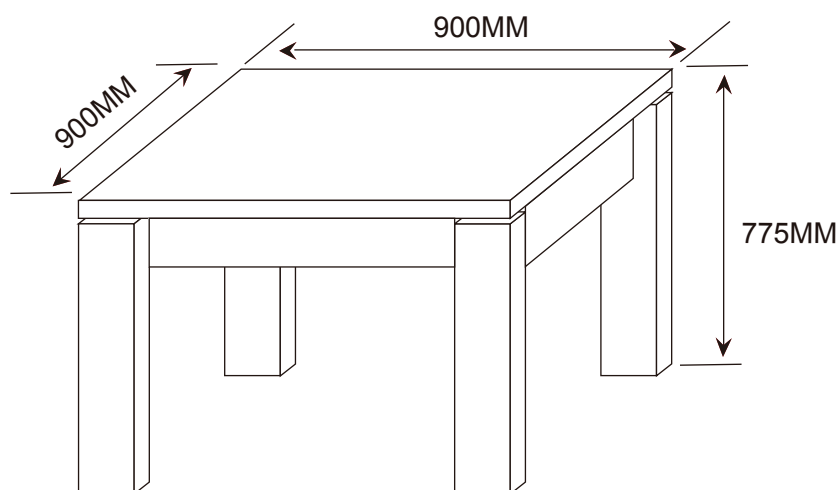


Assembly Instruction

Amart Furniture

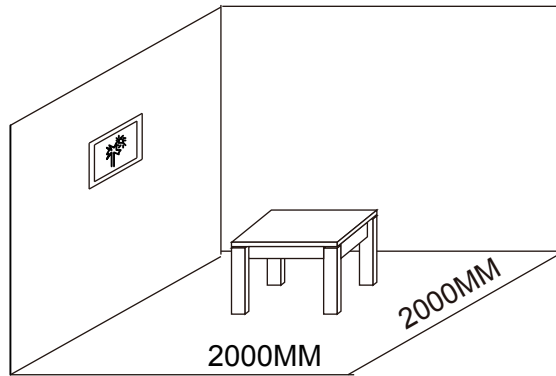
Item Code : 51101

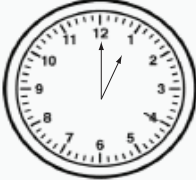




MAJESTY 900 SQUARE TABLE



Please read the assembly instruction carefully before assembling.

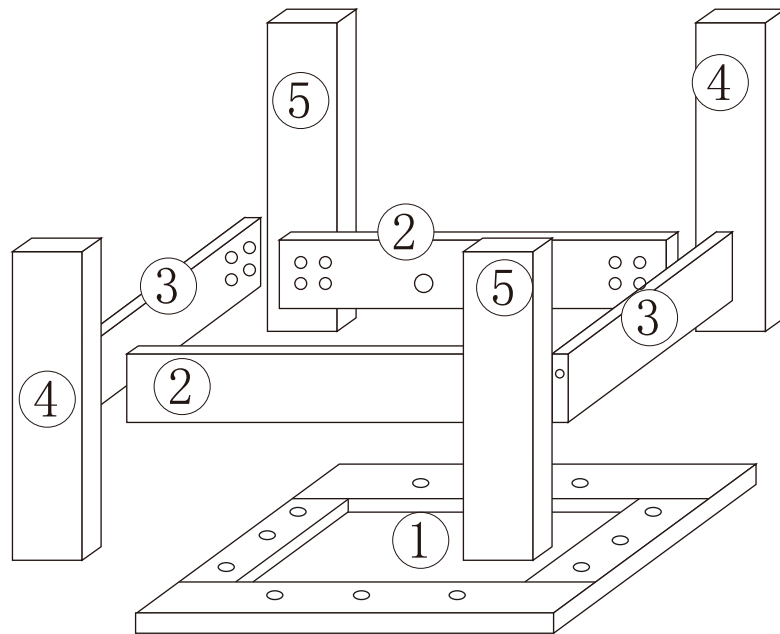
**IMPORTED BY SUPER AMART PTY LTD, BRISBANE,
QLD, AUSTRALIA
CUSTOMER SERVICE FREECALL 1800 351 084**



		
ALLOW 60 MINUTES	PEOPLE REQUIRED	
		
ADDITIONAL TOOLS REQUIRED		

Assembly is to be carried out by a competent adult only.
During assembly children should be kept away from the product due to possible risk of injury.
Do not use this item if any components are missing or damaged.
Please keep these instructions for future reference.

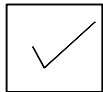
EXPLODED EXAMPLE



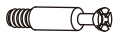







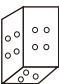


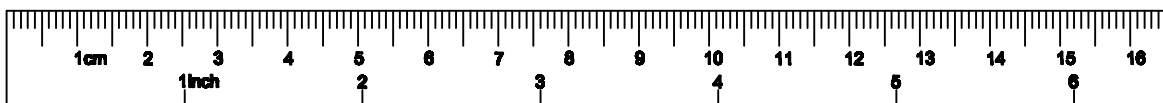
CHECKLIST

Before you start.....

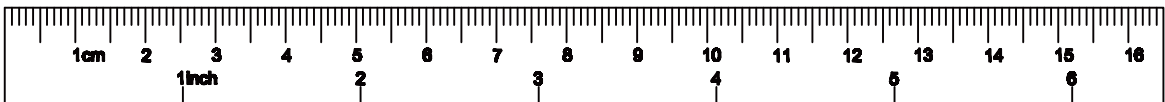
1. Choose a clean, level, spacious assembly area. Avoid hard surfaces that may damage the product.
2. Check and ensure that you have all required contents for complete assembly.
3. Always read the assembly instructions carefully before beginning assembly.
4. The packaging and contents can be a choking hazard. Please keep out of reach of small children at all times.
5. Do not over tighten the bolts as this may damage the thread.



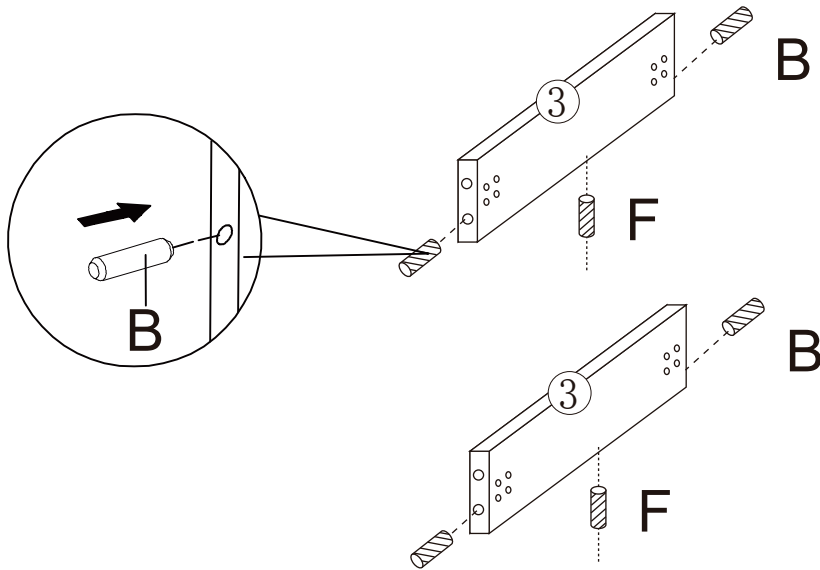
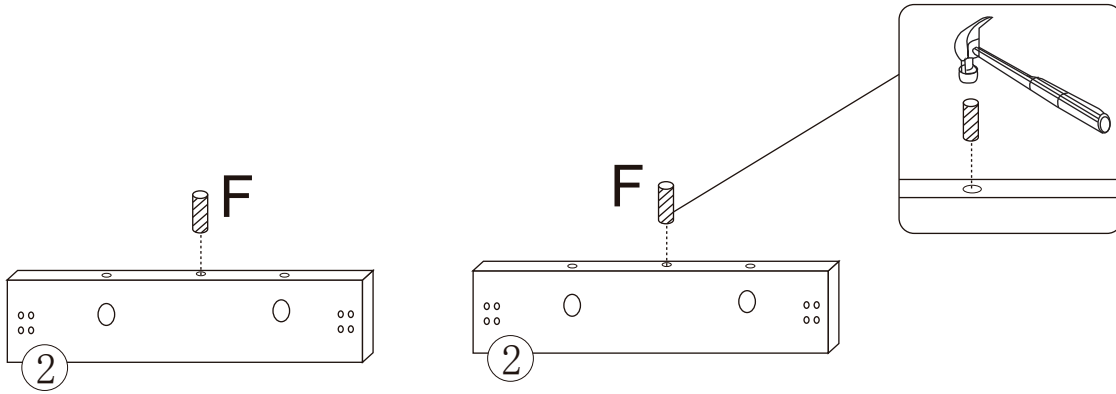
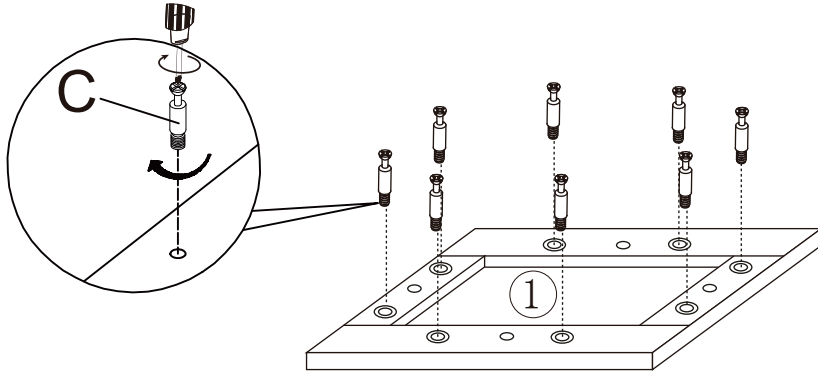
A <input type="checkbox"/> non-slip sticker  M50x50mm 4xA	B <input type="checkbox"/> dowel  M10x50mm 4xB	C <input type="checkbox"/> cam pin  M7x53mm 8xC
D <input type="checkbox"/> cam lock  M15x12mm 8xD	E <input type="checkbox"/> hexagon socket screw  M8x50mm 16xE	F <input type="checkbox"/> dowel  M8x50mm 4xF
G <input type="checkbox"/> hexagon socket screw  M8x20mm 28xG	H <input type="checkbox"/> allen key  M5mm 1xH	I <input type="checkbox"/> 8 mm round washers  M8mm 44xI
J <input type="checkbox"/> spring washer  M8mm 44xJ	K <input type="checkbox"/> angle iron  4xK	



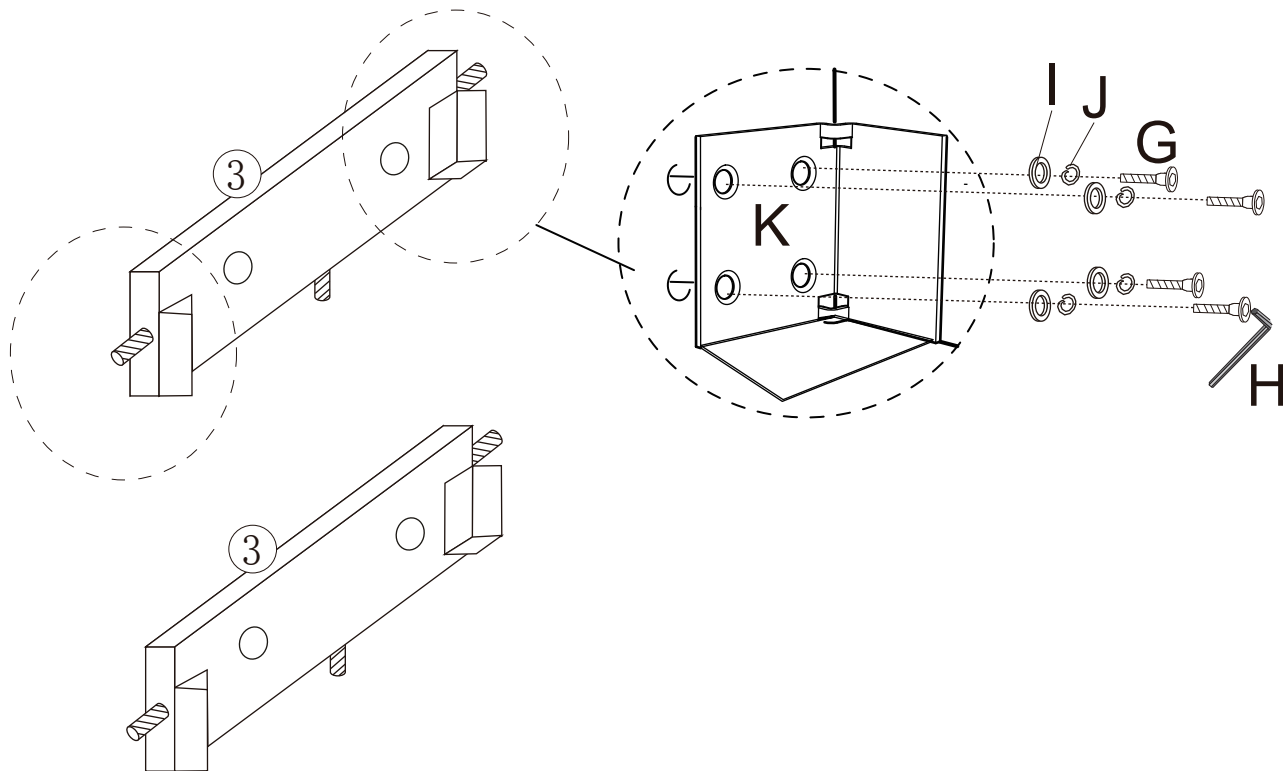
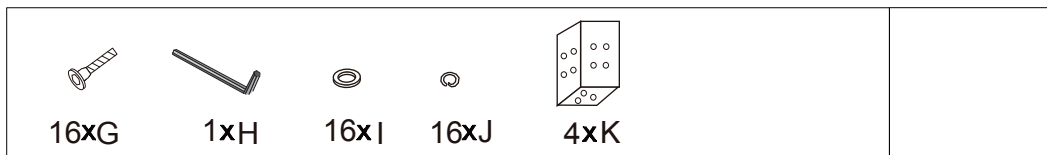
PART NUMBER	QTY	DIMENSIONS (MM)
1	1	900x900x40
2	2	120x740x25
3	2	120x748x25
4	2	150x755x50
5	2	150x755x50



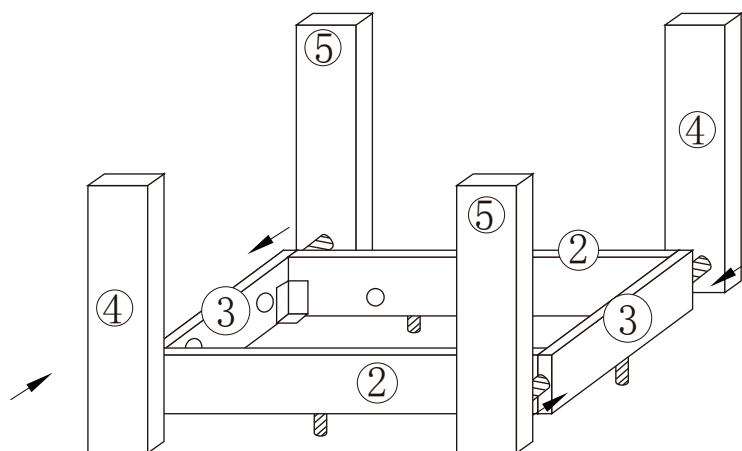
1



2

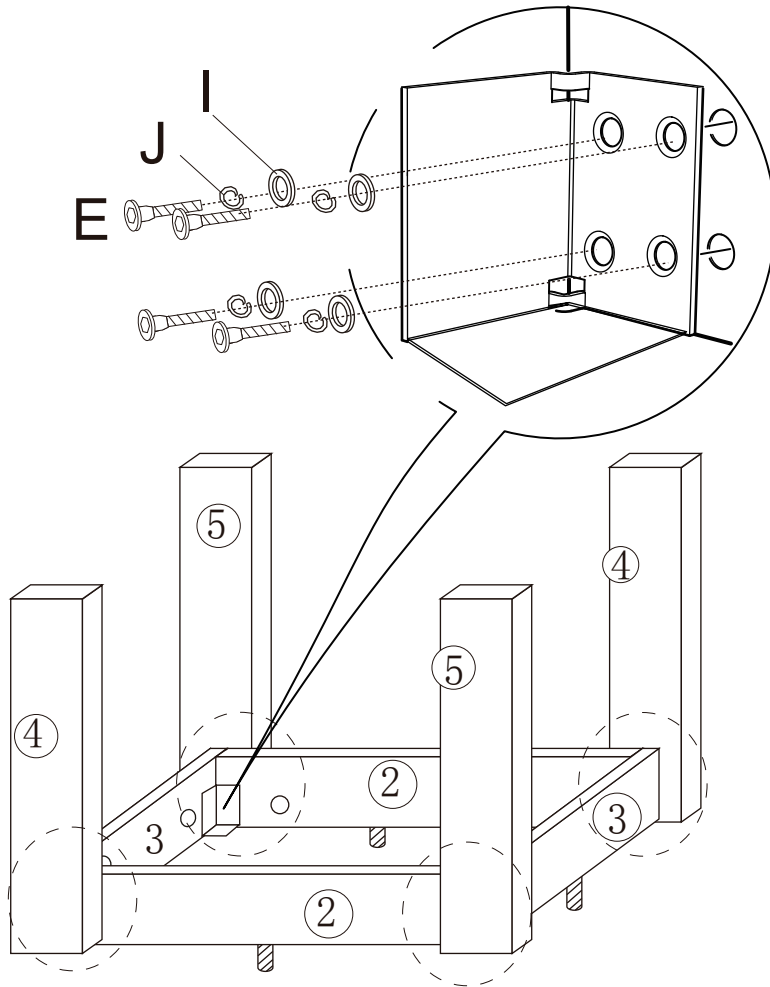


After locating all screws of step 2 step 3 and step 5, finally fasten screws tightly .



3

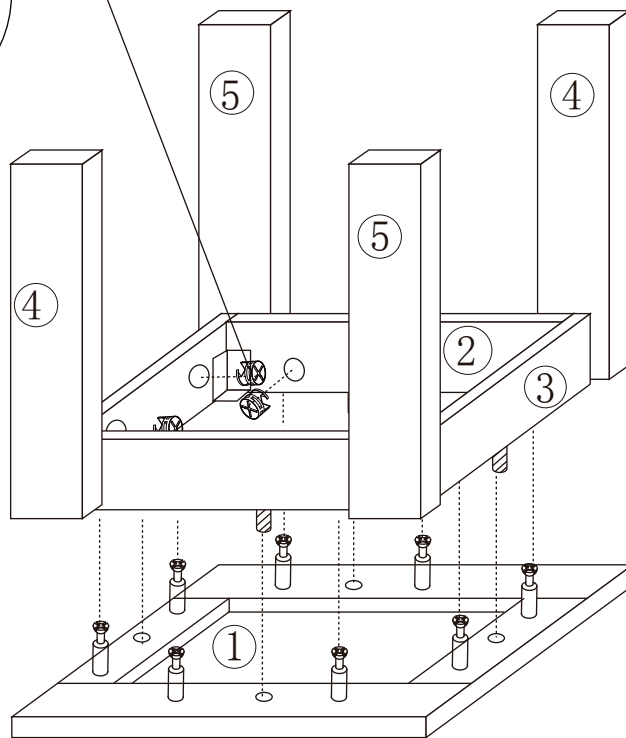
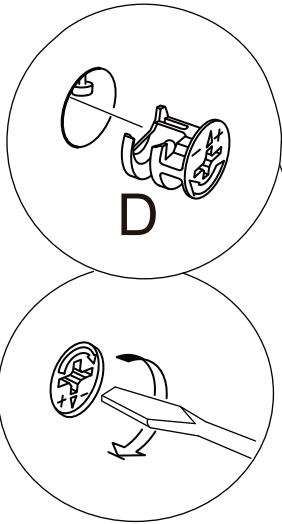
 16xE	 16xI	 16xJ	
---	---	---	--







4

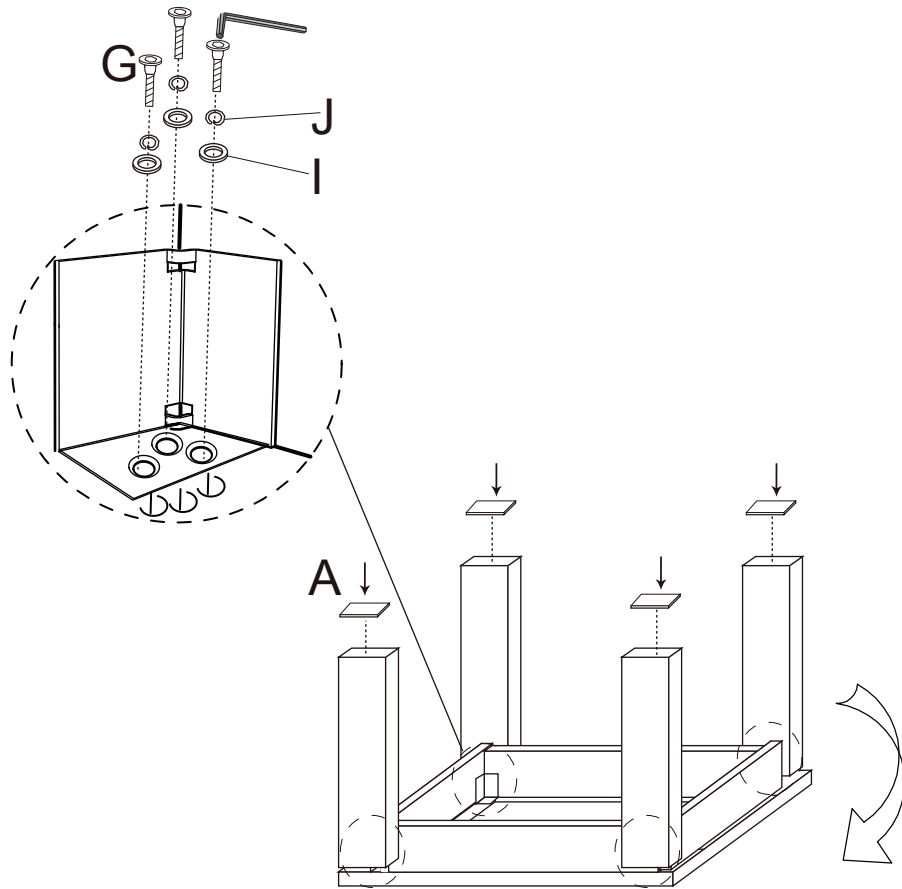


8xD

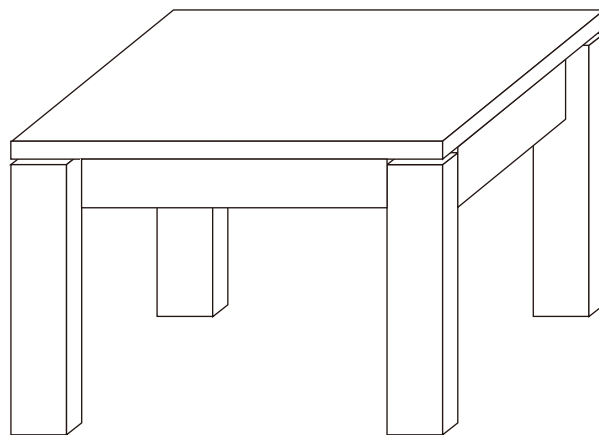


5

 4 x A	 12 x G	 12 x I	 12 x J
--	---	---	---



2 x People Required to turn table onto its feet upon completion



The job is now complete!

**In the interest of our environment
please dispose of all packaging thoughtfully.**